

Test Gauges, Solid Front Model 1082

According ASME B40.1

Nominal size: 4 1/2, 6 and 8 1/2 inch

Accuracy: Grade 3A (0,25 %)

Features

- Solid front case
- Automatic ambient temperature compensation
- Protection IP54
- Usable to full scale
- Overload protection 130 %
- Measuring system brass or Monel
- External zero adjustment (standard version)

Ranges

-1 ... 0 bar up to 0 ... 700 bar

-30 in. Hg ... 0 psi up to 0 ... 10.000 psi

Applications

Test benches

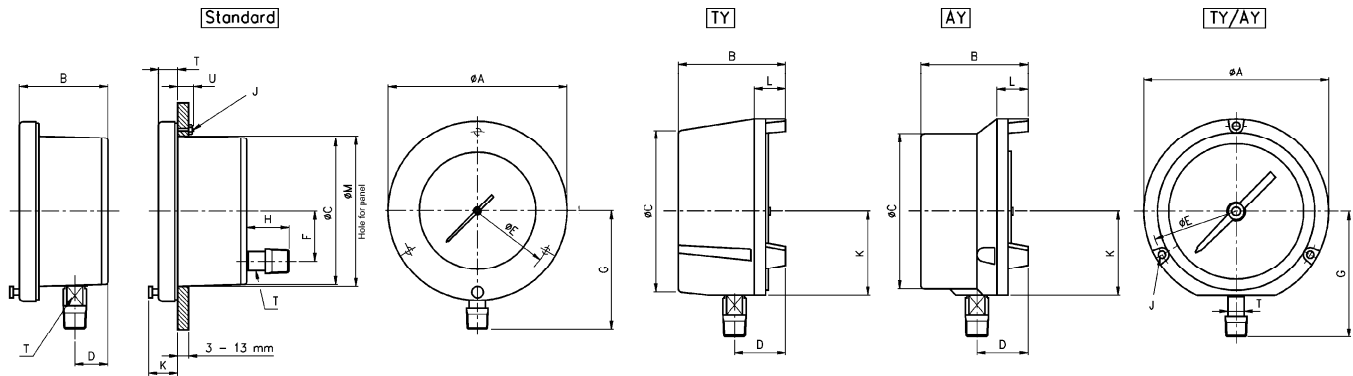
Calibration laboratories

Maintenance repair shops



Technical specification	1082															
	Standard			TY	AY											
Case type																
Dial size [inch]	4 1/2	6	8 1/2	4 1/2	4 1/2	6										
Construction housing ring	Solid front safety pattern with blow out at the back			Hinged	Threaded											
Zero adjustment	At the front, adjustable dial															
Measuring principle	Bourdon tube															
Range [bar]	1	1,6	2,5	4	6	10	16	25	40	60	100	160	250	400	600	700
Overpressure limit	130 % F.S., short time															
Pressure type	Gauge, vacuum and compound															
Process connection	1/4 NPT male (standard), 1/2 NPT male according ANSI/ASME B1.20.1															
	9/16-18 UNF-2B Aminco															
	G 1/4 B male, G 1/2 B male, M20x1,5 male, metric connections with adapter															
	Others on request															
Connection location	Lower, back			Lower	Lower											
Material																
Pressure connection	Brass (max. 25 bar) and Monel															
Tube	Phosphor bronze (max. 25 bar) and Monel															
Case	Aluminum ¹⁾			Phenolic	Aluminum ¹⁾											
Ring	Steel enamel coated			Polypropylene												
	¹⁾ Black epoxy coated															
Window	Instrument glass, optional laminated safety glass or acrylic															
Dial	Aluminum, black markings on white background, with polished mirror band															
Pointer	Aluminum, black, red painted knife edge															
Movement	Stainless steel 400 series, bimetallic temperature compensated, with micro-span adjustment and under-load/overload stops															
Accuracy	Grade 3A (0,25 % F.S.)															
Permissible																
Ambient temperature	-25 ... 60 °C															
Medium temperature	Max. 100 °C															
Storage temperature	-40 ... 65 °C															
Effect	Automatic compensated															
Protection according EN 60 529/IEC 529	IP54															
Filling liquids	Filling not available															
Mounting	Stem, optional flush			Stem, surface, flush with 1278M ring	Stem, surface											
Weight [kg]	1,1	1,4	2	1,1	1,1	1,4										
Accessories, options	Valves															

General dimensions [mm]



Type	Dial	A	B	C	D	E	F	G	H		J	K	L	M	T	U
									Max	Min						
Standard	4 1/2"	155				137		100			#10-24			124		
	6"	192	73	121	30	178	41	114	35	1/4-20	34	-	165	16	19	
	8 1/2"	257				244		152		1/4-20			229			
TY	4 1/2"	148	86	129	-	137		94			6	67	24	-	16	-
	8 1/2"	148	87	124	41	137	-	94			6	67	27	-	16	-
AY	4 1/2"	148	87	124	41	137	-	94			6	67	27	-	16	-
	6"	194	89	162	41	178		113			6	67	27	-	16	-

Rev. F

Order information

Size	System material	Execution	Process connection	Connection orientation	Range	Engineering units	Case type	Options
(45) 4 1/2 inch (115 mm)	(A) Brass socket, phosphor bronze tube (max. 25 bar)	(S) Solid front IP54	(04) 1/2 NPT male	(L) Lower	-1/ 0	(BAR)	(=) Standard no filling	(NH) Tagging wired
			(02) 1/4 NPT male ¹⁾	(B) Back ¹⁾	-1/ 1,5			
			(09) 9/16-18 UNF-2B Aminco		-1/ 3			
(60) 6 inch (150 mm) ¹⁾	(P) Monel 400 socket, K-Monel tube		(13) G 1/4 B male ²⁾		-1/ 5		(AY) Aluminum threaded polypropylene ring (only 4 1/2" and 6" dial with lower connection)	(6B) Oxygen cleaned
(15) G 1/2 B male ²⁾				-1/ 9				
				0/ 1				
(85) 8 1/2 inch (215 mm) ²⁾					0/ 1,6		(TY) Phenolic threaded polypropylene ring (only 4 1/2" dial with lower connection)	(PD) Acrylic glass
					0/ 2,5			
					0/ 4			
					0/ 6			
					0/ 10			
					0/ 16			
					0/ 25			
					0/ 40			
					0/ 60			
					0/100			
		0/160						
		0/250						
		0/400						
		0/600						
		0/700						
¹⁾ not for case type TY			¹⁾ standard connection	¹⁾ not for case type AY and TY				(SG) Safety glass
²⁾ only for standard			¹⁾ with adapter			psi and others on request		(1278M) Flush mounted ring for 4 1/2" and 6" case type TY and AY

How to order

Size	Type	System material	Execution	Process connection	Connection orientation	Range	Engineering unit	Case type	Option
45	1082	P	S	02	L	0/16	BAR	=	NH

Ashcroft Instruments GmbH

Germany
Max-Planck-Str. 1, D-52499 Baesweiler
P.O. Box 11 20, D-52490 Baesweiler
Tel.: +49 (0) 2401 808-0, Fax: +49 (0) 2401 808-125

France
„206“ ZA Le Mandinet Rue des Campanules
F-77185 Lognes
Tel.: +33 (0) 1 60 37 25 30, Fax: +33 (0) 1 60 37 25 39

Website: www.ashcrofteurope.com e-Mail: sales@ashcrofteurope.com

United Kingdom
Unit 5 William James House
Cowley Road, Cambridge CB4 0WX
Tel.: +44 (0) 12 23 39 55 00, Fax: +44 (0) 12 23 39 55 01